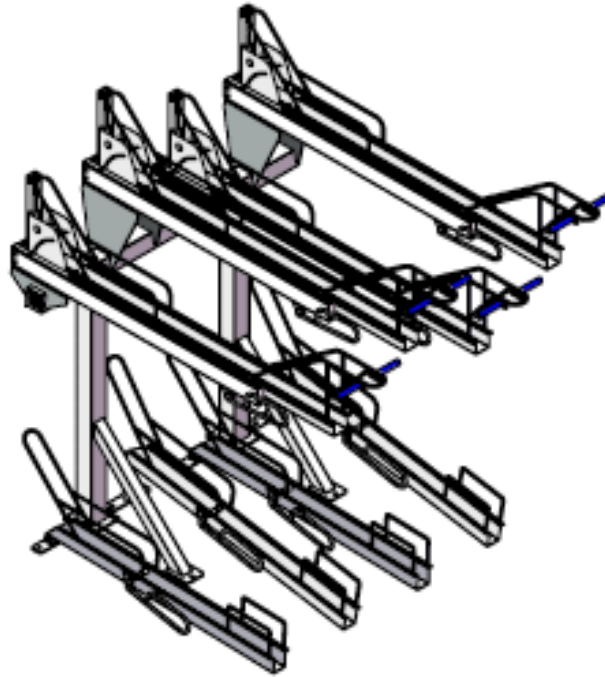


Product Specification Sheet

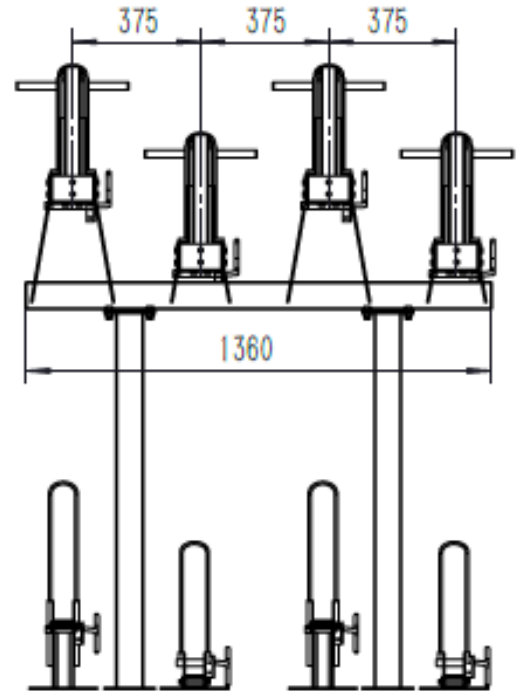
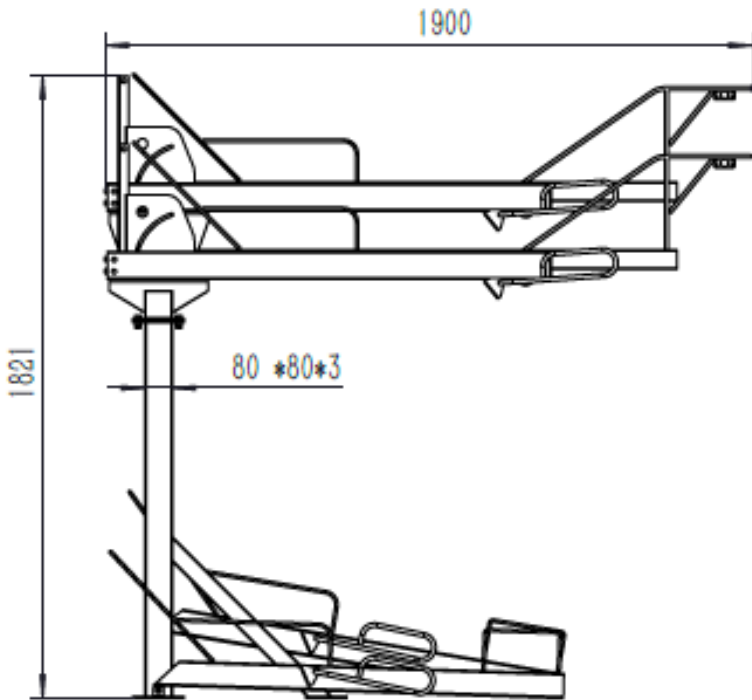
Product name – DoubleDeck™ Two Tier Bike Rack



Manufacturer / Brand	Pittman
Warranty	2 Year manufacturer's warranty
Material	Hot-dip galvanised steel
Dimensions	8 bike section - 1821(H) x 1360(W) x 1900(D)mm 375mm width between each rack Also available in 4 and 6 bike modules
Features	Hot-dip galvanised steel – excellent resistance to corrosion Spring-loaded bike parking struts – excellent bike stability 1400N gas spring – smooth and silent operation Integral red hand grips for easy pulling and pushing of struts Easy installation – bolts into place via bottom baseplate Minimal maintenance required during use

Ireland:
B2 Athy Business Campus
Athy, Co. Kildare R14 PK74
Ph: 01 531 2777
Email: sales@pittman.ie

United Kingdom:
1310 Solihull Parkway, Birmingham Business Park
Birmingham B37 7YB
Ph: 0121 630 3527
sales@pittman.uk



Ireland:
B2 Athy Business Campus
Athy, Co. Kildare R14 PK74
Ph: 01 531 2777
Email: sales@pittman.ie

United Kingdom:
1310 Solihull Parkway, Birmingham Business Park
Birmingham B37 7YB
Ph: 0121 630 3527
sales@pittman.uk