

Product Specification Sheet

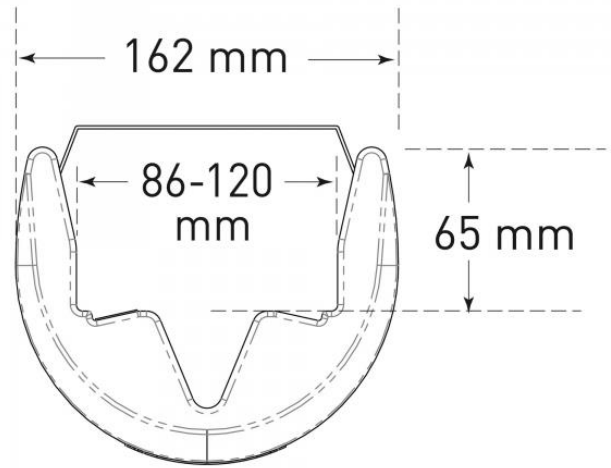
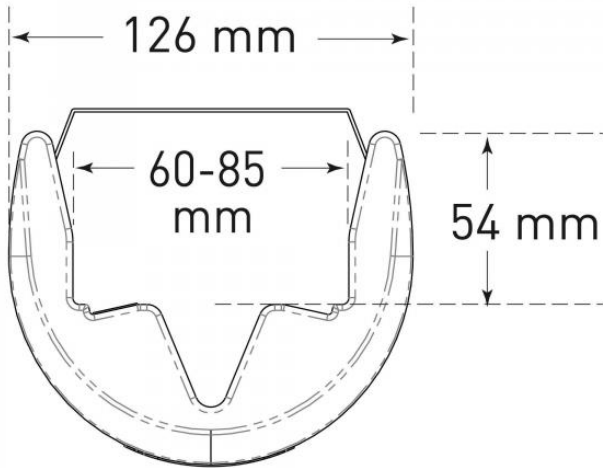
Product name – Black Bull Plastic Pallet Racking Protector



Manufacturer / Brand	Moravia
Warranty	1 year manufacturer's warranty
Material	Medium density polyethylene (MDPE)
Components	Single piece protector
Dimensions	60-85mm / 90-120mm Width: 126mm / 161mm Height: 550mm
Features	Fits racking uprights of 60-85mm Tough MDPE material Straps allow for quick and easy installation Fastens around columns or pallet racking TUV Approved Suitable for indoor and outdoor use

Ireland:
B2 Athy Business Campus
Athy, Co. Kildare R14 PK74
Ph: 01 531 2777
Email: sales@pittman.ie

United Kingdom:
1310 Solihull Parkway, Birmingham Business Park
Birmingham B37 7YB
Ph: 0121 630 3527
sales@pittman.uk



Ireland:
B2 Athy Business Campus
Athy, Co. Kildare R14 PK74
Ph: 01 531 2777
Email: sales@pittman.ie

United Kingdom:
1310 Solihull Parkway, Birmingham Business Park
Birmingham B37 7YB
Ph: 0121 630 3527
sales@pittman.uk